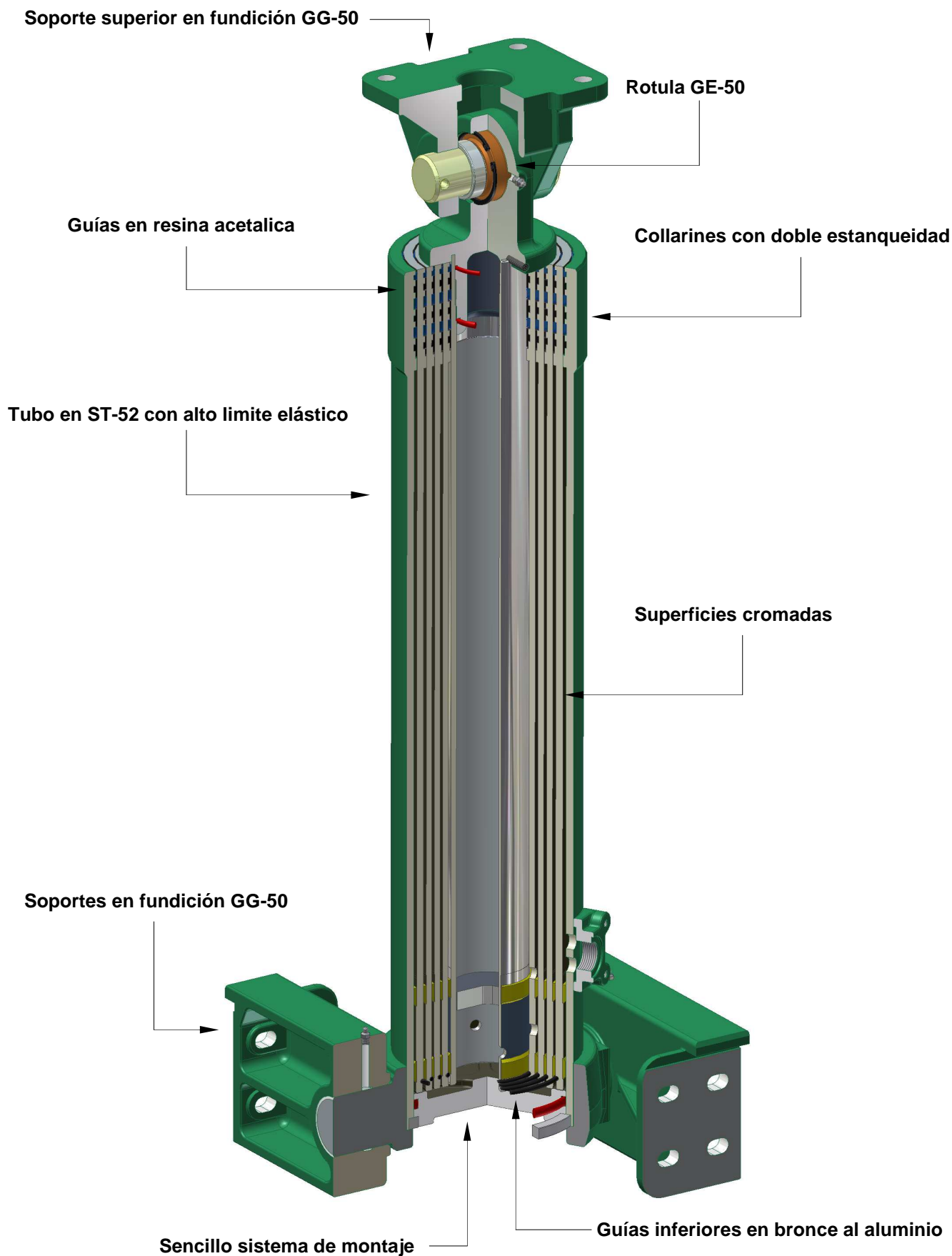


CILINDROS FRONTALES



CILINDROS FRONTALES

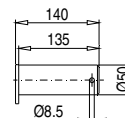
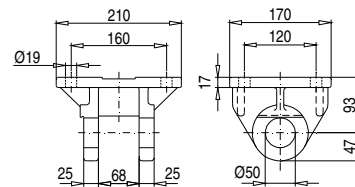
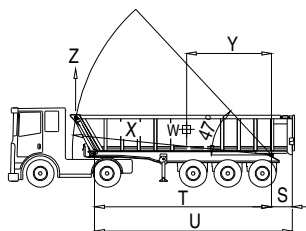


| | | |
|---------|-------------|---------------------|
| CODIGO: | REFERENCIA: | CILINDROS FRONTALES |
|---------|-------------|---------------------|

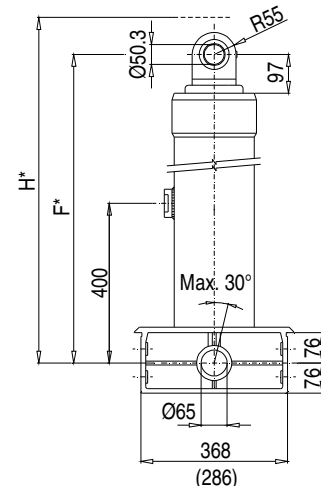
Z = EMPUJE DEL CILINDRO
 W = PESO A ELEVAR
 Y = CENTRO DE GRAVEDAD

$$Y = \frac{U}{2} - S$$

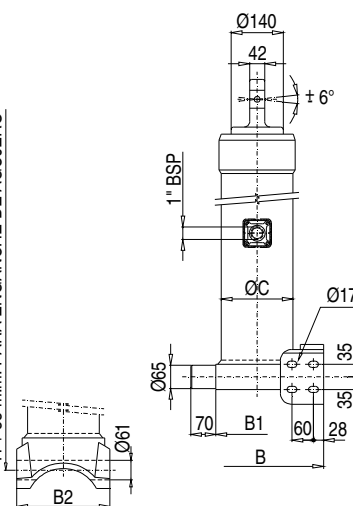
$$W = \frac{Z * X}{Y}$$



| REFCIA. | CARRERA | EXP. | F TIPO "L" | F TIPO "F" | H (F+93) | C | B1 | B | B2 | PESO Kg. | VOL. L. | Tm. a: 150 bar | U/S a 47° |
|------------|---------|------|------------|------------|----------|-----|-----|-----|-----|----------|---------|----------------|-------------|
| 1000/128-3 | 3000 | 3 | 1324 | 1379 | 1417 | 150 | 180 | 330 | 210 | 118 | 29 | 24 Tm. | 4200 / 400 |
| 1130/128-3 | 3390 | 3 | 1474 | 1529 | 1567 | 150 | 180 | 330 | 210 | 131 | 32 | 24 Tm. | 4700 / 400 |
| 1230/128-3 | 3690 | 3 | 1554 | 1609 | 1647 | 150 | 180 | 330 | 210 | 138 | 34 | 24 Tm. | 5000 / 400 |
| 1360/128-3 | 4090 | 3 | 1704 | 1759 | 1797 | 150 | 180 | 330 | 210 | 150 | 39 | 24 Tm. | 5600 / 500 |
| 1430/128-3 | 4290 | 3 | 1769 | 1824 | 1862 | 150 | 180 | 330 | 210 | 155 | 40 | 24 Tm. | 5700 / 500 |
| 1000/148-3 | 3000 | 3 | 1324 | 1379 | 1417 | 173 | 230 | 380 | 240 | 152 | 39.5 | 30 Tm. | 4200 / 400 |
| 1130/148-3 | 3390 | 3 | 1474 | 1529 | 1647 | 173 | 230 | 380 | 240 | 168 | 44.5 | 30 Tm. | 4700 / 400 |
| 1230/148-3 | 3690 | 3 | 1554 | 1609 | 1647 | 173 | 230 | 380 | 240 | 176 | 48 | 30 Tm. | 5000 / 400 |
| 1360/148-3 | 4090 | 3 | 1704 | 1759 | 1797 | 173 | 230 | 380 | 240 | 192 | 54 | 30 Tm. | 5600 / 500 |
| 1430/148-3 | 4290 | 3 | 1769 | 1824 | 1862 | 173 | 230 | 380 | 240 | 199 | 55 | 30 Tm. | 5700 / 500 |
| 1000/128-4 | 4000 | 4 | 1324 | 1379 | 1417 | 150 | 180 | 330 | 210 | 155 | 32 | 24 Tm. | 5400 / 400 |
| 1130/128-4 | 4520 | 4 | 1474 | 1529 | 1567 | 150 | 180 | 330 | 210 | 172 | 36 | 24 Tm. | 5900 / 500 |
| 1230/128-4 | 4920 | 4 | 1554 | 1609 | 1647 | 150 | 180 | 330 | 210 | 181 | 39 | 24 Tm. | 6500 / 500 |
| 1360/128-4 | 5420 | 4 | 1704 | 1759 | 1797 | 150 | 180 | 330 | 210 | 198 | 44 | 24 Tm. | 7400 / 600 |
| 1430/128-4 | 5720 | 4 | 1769 | 1824 | 1862 | 150 | 180 | 330 | 210 | 205 | 45 | 24 Tm. | 7600 / 600 |
| 1000/148-4 | 4000 | 4 | 1324 | 1379 | 1417 | 173 | 230 | 380 | 240 | 166 | 45.5 | 30 Tm. | 5400 / 400 |
| 1130/148-4 | 4520 | 4 | 1474 | 1529 | 1567 | 173 | 230 | 380 | 240 | 174 | 52 | 30 Tm. | 5900 / 500 |
| 1230/148-4 | 4920 | 4 | 1554 | 1609 | 1647 | 173 | 230 | 380 | 240 | 183 | 55 | 30 Tm. | 6500 / 500 |
| 1360/148-4 | 5420 | 4 | 1704 | 1759 | 1797 | 173 | 230 | 380 | 240 | 197 | 62 | 30 Tm. | 7400 / 600 |
| 1430/148-4 | 5720 | 4 | 1769 | 1824 | 1862 | 173 | 230 | 380 | 240 | 209 | 64 | 30 Tm. | 7600 / 600 |
| 1000/171-4 | 4000 | 4 | 1324 | 1379 | 1417 | 196 | 230 | 380 | 261 | 197 | 63 | 35 Tm. | 5400 / 400 |
| 1130/171-4 | 4520 | 4 | 1474 | 1529 | 1567 | 196 | 230 | 380 | 261 | 220 | 71 | 35 Tm. | 5900 / 500 |
| 1230/171-4 | 4920 | 4 | 1554 | 1609 | 1647 | 196 | 230 | 380 | 261 | 230 | 76 | 35 Tm. | 6500 / 500 |
| 1360/171-4 | 5420 | 4 | 1704 | 1759 | 1797 | 196 | 230 | 380 | 261 | 260 | 85 | 35 Tm. | 7400 / 600 |
| 1430/171-4 | 5720 | 4 | 1769 | 1824 | 1862 | 196 | 230 | 380 | 261 | 265 | 88 | 35 Tm. | 7600 / 600 |
| 1630/171-4 | 6520 | 4 | 2054 | 2109 | 2147 | 196 | 230 | 380 | 261 | 306 | 99 | 35 Tm. | 8500 / 600 |
| 1000/148-5 | 5000 | 5 | 1324 | 1379 | 1417 | 173 | 230 | 380 | 240 | 189 | 49.5 | 30 Tm. | 6700 / 500 |
| 1130/148-5 | 5650 | 5 | 1474 | 1529 | 1567 | 173 | 230 | 380 | 240 | 212 | 56 | 30 Tm. | 7700 / 600 |
| 1230/148-5 | 6150 | 5 | 1554 | 1609 | 1647 | 173 | 230 | 380 | 240 | 224 | 60 | 30 Tm. | 8200 / 600 |
| 1360/148-5 | 6800 | 6 | 1704 | 1759 | 1797 | 173 | 230 | 380 | 240 | 248 | 67 | 30 Tm. | 9200 / 700 |
| 1430/148-5 | 7150 | 5 | 1769 | 1824 | 1862 | 173 | 230 | 380 | 240 | 256 | 69 | 30 Tm. | 9500 / 700 |
| 1000/171-5 | 5000 | 5 | 1324 | 1379 | 1417 | 196 | 230 | 380 | 261 | 215 | 69 | 35 Tm. | 6700 / 500 |
| 1130/171-5 | 5650 | 5 | 1474 | 1529 | 1567 | 196 | 230 | 380 | 261 | 239 | 78 | 35 Tm. | 7700 / 600 |
| 1230/171-5 | 6150 | 5 | 1554 | 1609 | 1647 | 196 | 230 | 380 | 261 | 252 | 83 | 35 Tm. | 8200 / 600 |
| 1360/171-5 | 6800 | 5 | 1704 | 1759 | 1797 | 196 | 230 | 380 | 261 | 276 | 93 | 35 Tm. | 9200 / 700 |
| 1430/171-5 | 7150 | 5 | 1769 | 1824 | 1862 | 196 | 230 | 380 | 261 | 284 | 96 | 35 Tm. | 9500 / 700 |
| 1630/171-5 | 8150 | 5 | 2054 | 2109 | 2147 | 196 | 230 | 380 | 261 | 330 | 109 | 30 Tm. | 10700 / 700 |
| 1800/171-5 | 9000 | 5 | 2269 | 2324 | 2362 | 196 | 230 | 380 | 261 | 365 | 124 | 30 Tm. | 11900 / 700 |
| 1130/194-5 | 5650 | 5 | 1452 | 1549 | 1554 | 219 | 255 | 405 | 261 | 290 | 104 | 40 Tm. | 7700 / 600 |
| 1230/194-5 | 6150 | 5 | 1532 | 1629 | 1545 | 219 | 255 | 405 | 261 | 305 | 112 | 40 Tm. | 8200 / 600 |
| 1360/194-5 | 6800 | 5 | 1682 | 1779 | 1775 | 219 | 255 | 405 | 261 | 333 | 125 | 40 Tm. | 9200 / 700 |
| 1430/194-5 | 7150 | 5 | 1747 | 1844 | 1840 | 219 | 255 | 405 | 261 | 345 | 129 | 40 Tm. | 9500 / 700 |
| 1630/194-5 | 8150 | 5 | 2032 | 2129 | 2125 | 219 | 255 | 405 | 261 | 368 | 146 | 35 Tm. | 10700 / 700 |
| 1800/194-5 | 9000 | 5 | 2247 | 2344 | 2340 | 219 | 255 | 405 | 261 | 408 | 166 | 32 Tm. | 11900 / 700 |
| 1130/171-6 | 6780 | 6 | 1474 | 1529 | 1567 | 196 | 230 | 380 | 261 | 274 | 82 | 35 Tm. | 9100 / 700 |
| 1230/171-6 | 7380 | 6 | 1554 | 1609 | 1647 | 196 | 230 | 380 | 261 | 289 | 88 | 35 Tm. | 9800 / 700 |
| 1330/171-6 | 7980 | 6 | 1769 | 1824 | 1862 | 196 | 230 | 380 | 261 | 330 | 94 | 35 Tm. | 10500 / 700 |
| 1360/171-6 | 8160 | 6 | 1704 | 1759 | 1797 | 196 | 230 | 380 | 261 | 325 | 99 | 30 Tm. | 10700 / 700 |
| 1430/171-6 | 8580 | 6 | 1769 | 1824 | 1862 | 196 | 230 | 380 | 261 | 330 | 102 | 30 Tm. | 11300 / 700 |
| 1130/194-6 | 6780 | 6 | 1452 | 1549 | 1514 | 219 | 255 | 405 | 261 | 309 | 111 | 40 Tm. | 9100 / 700 |
| 1230/194-6 | 7380 | 6 | 1532 | 1629 | 1554 | 219 | 255 | 405 | 261 | 325 | 119 | 35 Tm. | 9800 / 700 |
| 1360/194-6 | 8160 | 6 | 1682 | 1779 | 1775 | 219 | 255 | 405 | 261 | 355 | 134 | 35 Tm. | 10700 / 700 |
| 1430/194-6 | 8580 | 6 | 1747 | 1844 | 1840 | 219 | 255 | 405 | 261 | 369 | 138 | 35 Tm. | 11300 / 700 |



H + 55 m.m. PARA ENGANCHE DE AGUJERO



Polígono Malpica-Alfinden. Calle G, nº 34
 Teléfono 976 45 50 20 - Fax 976 45 50 23
 50171 LA PUEBLA DE ALFINDEN
 (Zaragoza - España)

www.olesaes.com
 e-mail: olesa@olesaes.com